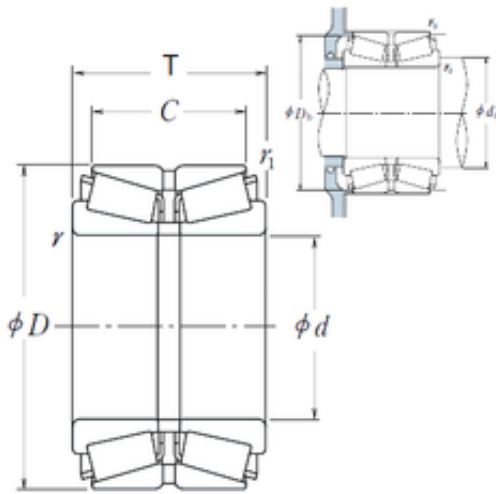




# BEARING DRIVESHAFT, INC.



190KBE031+L Bearing 2D drawings and 3D CAD models

## 190KBE031+L NSK Tapered roller bearing

Bearing No. 190KBE031+L

Size	190x320x130 mm
Bore Diameter	190 mm
Outer Diameter	320 mm
Width	130 mm
d	190 mm
D	320 mm
T	130 mm
C	104 mm
r min.	4 mm
r1 min.	1,5 mm
da min.	211 mm
Db min.	302 mm
ra max.	3 mm
rb max.	1,5 mm
Weight	39 Kg
Basic dynamic load rating (C)	1070 kN
Basic static load rating (C0)	1960 kN
(Grease) Lubrication Speed	800 r/min
(Oil) Lubrication Speed	1100 r/min
Calculation factor (e)	0,39
Calculation factor (Y0)	1,7
Calculation factor (Y2)	2,6