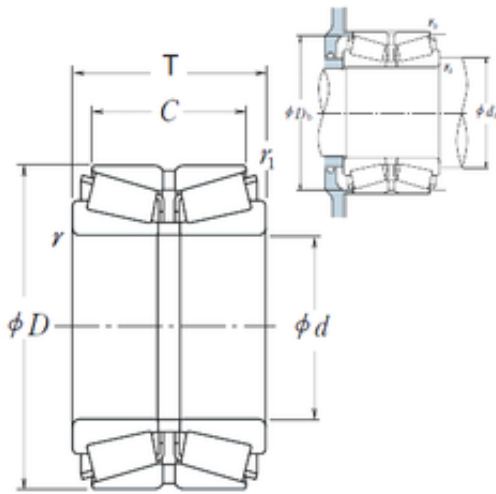




# BEARING DRIVESHAFT, INC.

## HR160KBE52X+L NSK Tapered roller bearing



Bearing No. HR160KBE52X+L

|                               |                |
|-------------------------------|----------------|
| Size                          | 160x290x178 mm |
| Bore Diameter                 | 160 mm         |
| Outer Diameter                | 290 mm         |
| Width                         | 178 mm         |
| d                             | 160 mm         |
| D                             | 290 mm         |
| T                             | 178 mm         |
| C                             | 144 mm         |
| r min.                        | 4 mm           |
| r1 min.                       | 1 mm           |
| da min.                       | 181 mm         |
| Db min.                       | 277 mm         |
| ra max.                       | 3 mm           |
| rb max.                       | 1 mm           |
| Weight                        | 47,3 Kg        |
| Basic dynamic load rating (C) | 1360 kN        |
| Basic static load rating (C0) | 2440 kN        |
| (Grease) Lubrication Speed    | 1000 r/min     |
| (Oil) Lubrication Speed       | 1300 r/min     |
| Calculation factor (e)        | 0,44           |
| Calculation factor (Y0)       | 1,5            |
| Calculation factor (Y2)       | 2,3            |

HR160KBE52X+L Bearing 2D drawings and 3D CAD models