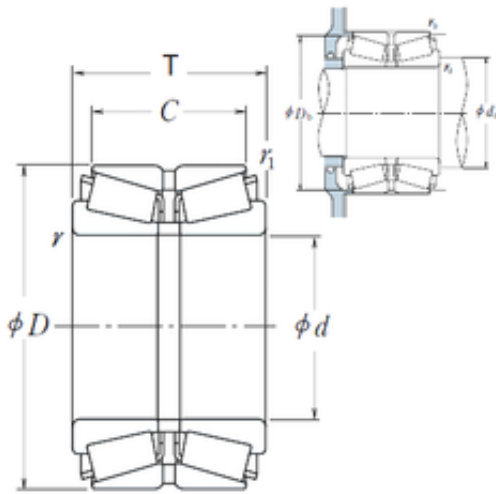




# BEARING DRIVESHAFT, INC.



## 140KBE2201+L NSK Tapered roller bearing

Bearing No. 140KBE2201+L

Size	140x225x85 mm
Bore Diameter	140 mm
Outer Diameter	225 mm
Width	85 mm
d	140 mm
D	225 mm
T	85 mm
C	68 mm
r min.	3 mm
r1 min.	1 mm
da min.	158 mm
Db min.	215 mm
ra max.	2,5 mm
rb max.	1 mm
Weight	11,7 Kg
Basic dynamic load rating (C)	490 kN
Basic static load rating (C0)	850 kN
(Grease) Lubrication Speed	1200 r/min
(Oil) Lubrication Speed	1600 r/min
Calculation factor (e)	0,39
Calculation factor (Y0)	1,7
Calculation factor (Y2)	2,6

140KBE2201+L Bearing 2D drawings and 3D CAD models