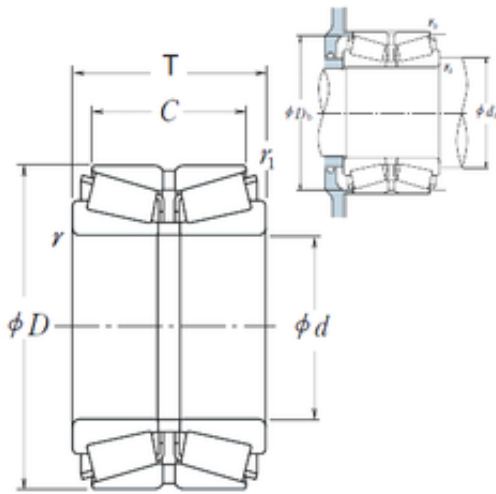




BEARING DRIVESHAFT, INC.

HR110KBE52X+L NSK Tapered roller bearing



Bearing No. HR110KBE52X+L

Size	110x200x121 mm
Bore Diameter	110 mm
Outer Diameter	200 mm
Width	121 mm
d	110 mm
D	200 mm
T	121 mm
C	101 mm
r min.	3 mm
r1 min.	1 mm
da min.	128 mm
Db min.	193 mm
ra max.	2,5 mm
rb max.	1 mm
Weight	15,2 Kg
Basic dynamic load rating (C)	685 kN
Basic static load rating (C0)	1130 kN
(Grease) Lubrication Speed	1400 r/min
(Oil) Lubrication Speed	1900 r/min
Calculation factor (e)	0,42
Calculation factor (Y0)	1,6
Calculation factor (Y2)	2,4

HR110KBE52X+L Bearing 2D drawings and 3D CAD models