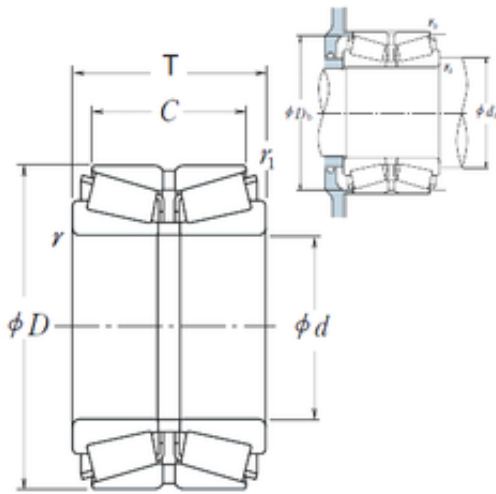




# BEARING DRIVESHAFT, INC.

## HR110KBE2001+L NSK Tapered roller bearing



Bearing No. HR110KBE2001+L

|                               |                |
|-------------------------------|----------------|
| Size                          | 110x200x120 mm |
| Bore Diameter                 | 110 mm         |
| Outer Diameter                | 200 mm         |
| Width                         | 120 mm         |
| d                             | 110 mm         |
| D                             | 200 mm         |
| T                             | 120 mm         |
| C                             | 100 mm         |
| r min.                        | 3 mm           |
| r1 min.                       | 1 mm           |
| da min.                       | 128 mm         |
| Db min.                       | 193 mm         |
| ra max.                       | 2,5 mm         |
| rb max.                       | 1 mm           |
| Weight                        | 15,4 Kg        |
| Basic dynamic load rating (C) | 685 kN         |
| Basic static load rating (C0) | 1130 kN        |
| (Grease) Lubrication Speed    | 1400 r/min     |
| (Oil) Lubrication Speed       | 1900 r/min     |
| Calculation factor (e)        | 0,42           |
| Calculation factor (Y0)       | 1,6            |
| Calculation factor (Y2)       | 2,4            |

HR110KBE2001+L Bearing 2D drawings and 3D CAD models